

PANZERI

Rally Trim

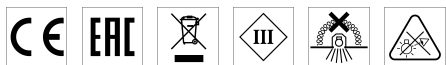
600mA DC
XR17801.014.1715

white



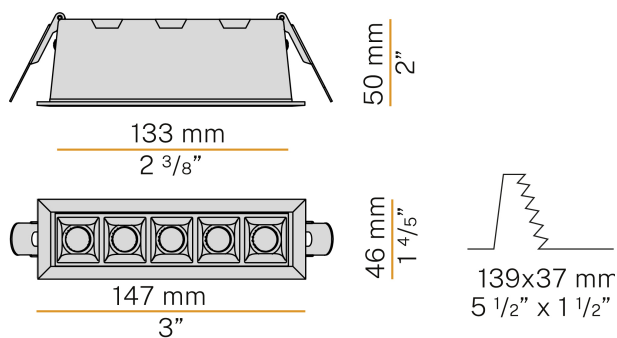
Data sheet

CODE	XR17801.014.1715
SYSTEM POWER CONSUMPTION	9W
EFFICACY	66.89lm/W
LIGHT SOURCE	LED
COLOUR TEMPERATURE	2700K Ra>90
LIGHT DISTRIBUTION	flood
BEAM ANGLE	30°
POWER SUPPLY	600mA DC
DRIVER	remote not included
NOMINAL LUMINOUS FLUX	900lm
LUMEN OUTPUT	602lm
EFFICIENCY	66.9%
WEIGHT	0,24 Kg
PROTECTION DEGREE	IP20
COLOUR TOLLERANCES	SDCM <3
PACKING DIMENSIONS	0,0 x 0,0 x 0,0 cm



Rectangular lighting fixture for ceiling built-in installation for interiors, with recessed direct light emission made of LED lens with 30° light beam.
Built-in die-cast aluminium structure in iron grey finish, for permanent false ceilings. Available with white frame and black optics, in 2700K and 3000K versions. Equipped with 0,4m (15,7") long power cable. Built-in hole dimension: 139x37mm (5,5x1,5").

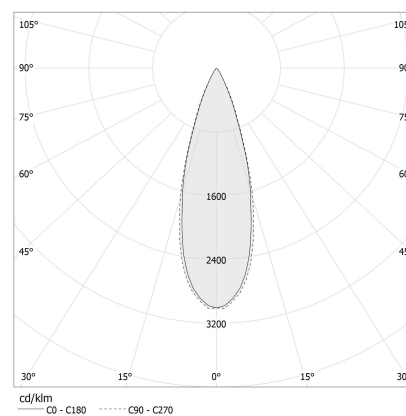
Technical drawing



Application



Polar diagram

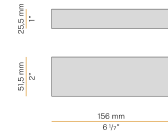
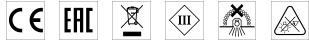


PANZERI

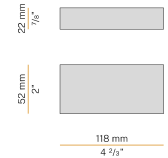
Rally Trim

Accessories / power supply

XM6-20 D/P MULTI LED driver, 9,2÷28W 200÷900mA, 1-10V/DALI/Push DIM dimmable.



XM6-20 UNI LED driver, 4÷20W 250÷700mA.



YDR.090.013.A02 LED driver, 13W 600÷900mA, DALI/Push DIM dimmable.

