

PANZERI

James

300mA DC
XR17701.040.1715

● white



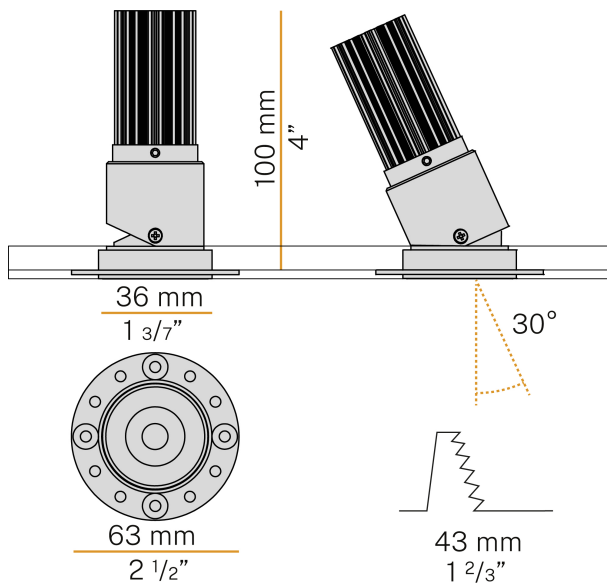
Data sheet

CODE	XR17701.040.1715
SYSTEM POWER CONSUMPTION	5,2W
EFFICACY	92,4lm/W
LIGHT SOURCE	LED
COLOUR TEMPERATURE	2700K Ra>90
LIGHT DISTRIBUTION	flood
BEAM ANGLE	24°
POWER SUPPLY	300mA DC
DRIVER	remote not included
NOMINAL LUMINOUS FLUX	607lm
LUMEN OUTPUT	462lm
EFFICIENCY	76,1%
WEIGHT	0,13 Kg
PROTECTION DEGREE	IP44
COLOUR TOLLERANCES	SDCM <3
PACKING DIMENSIONS	0,0 x 0,0 x 0,0 cm



Lighting fixture for ceiling built-in installation for interiors, with max.30° adjustable light beam and recessed direct light emission source.
Built-in die-cast aluminium structure for permanent false ceilings in white or black powder paint.
24° beam optics available in white and black color.
Flush-mounting structure in white painted aluminium, with a snap-on coupling on the spotlight head for facilitating the installation.
Available in 2700K and 3000K version.
Equipped with 0,4m (15,7") long power cable.
Built-in hole dimension: Ø 43mm (Ø 1,7").

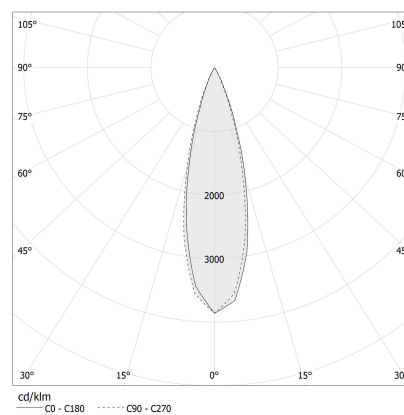
Technical drawing



Application



Polar diagram



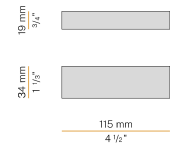
PANZERI

James

Accessories / power supply

XM6-15 UNI

LED driver, 2,5÷15W 60÷360mA.



YDR.035.008.A02

LED driver, 8W 120÷350mA, DALI/Push DIM dimmable.

