

PANZERI

Step By Step

350mA DC
XGR1024

plaster



Data sheet

CODE	XGR1024
SYSTEM POWER CONSUMPTION	1W
EFFICACY	54lm/W
LIGHT SOURCE	LED
COLOUR TEMPERATURE	3000K Ra>80
LIGHT DISTRIBUTION	asymmetric
POWER SUPPLY	350mA DC
DRIVER	remote not included
NOMINAL LUMINOUS FLUX	120lm
LUMEN OUTPUT	54lm
EFFICIENCY	45%
WEIGHT	0,49 Kg
PROTECTION DEGREE	IP20
PACKING DIMENSIONS	20,5 x 8,5 x 17,0 cm



Lighting fixture for ceiling or wall built-in installation for interiors, with direct light emission.

Total built-in plaster structure for masonry or plasterboard.

Turned aluminium heat sink.

Acrylic moulded lens.

Light module closing frame in turned aluminium.

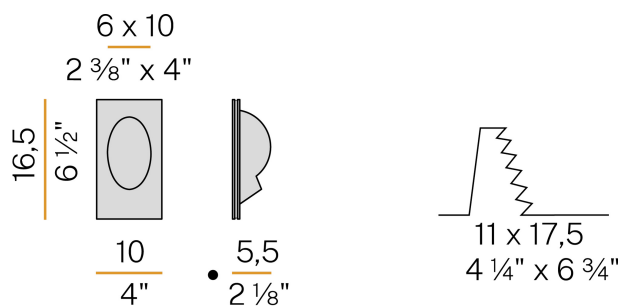
Light source retaining spring clip in stainless steel.

Fixing brackets in micro-perforated sheet metal.

Recessed housing for masonry in galvanized sheet metal to be ordered separately.

Built-in hole dimension: 110x175mm (4,3x6,9")

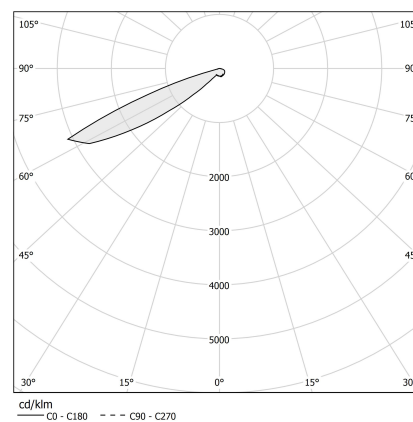
Technical drawing



Application



Polar diagram



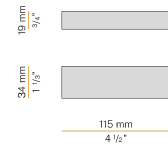
PANZERI

Step By Step

Accessories / power supply

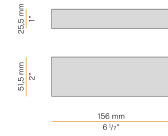
XM6-15 UNI

LED driver, 2,5÷15W 60÷360mA.



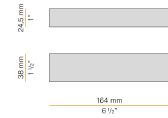
XM6-20 D/P MULTI

LED driver, 9,2÷28W 200÷900mA, 1-10V/DALI/Push DIM dimmable.



XM6-25 D/P MULTI

LED driver, 11÷25,6W 200÷900mA, DALI/Push DIM dimmable.



PANZERI

Step By Step

Accessories / fixing

XM1024

Galvanized sheet housing to be recessed in brick wall or concrete.

