

# PANZERI

## Moai

220-240V AC ON-OFF  
XGQ1210.0401

● plaster

### Data sheet

CODE	XGQ1210.0401
SYSTEM POWER CONSUMPTION	15W
EFFICACY	70.87lm/W
LIGHT SOURCE	LED
LIGHT SOURCE LIFETIME	L80 (B20) 80.000h
COLOUR TEMPERATURE	3000K Ra>90
LIGHT DISTRIBUTION	asymmetric
POWER SUPPLY	220-240V AC
FREQUENCY	50/60Hz
ELECTRICAL CONFIGURATION	ON-OFF
DRIVER	integrated included
NOMINAL LUMINOUS FLUX	1898lm
LUMEN OUTPUT	1063lm
EFFICIENCY	56%
WEIGHT	1,91 Kg
PROTECTION DEGREE	IP20
COLOUR TOLLERANCES	SDCM 3
PACKING DIMENSIONS	11,0 x 32,0 x 22,0 cm



Lighting fixture for ceiling or wall built-in installation for interiors, with indirect light emission.

Total built-in plaster structure for masonry or plasterboard.

Aluminium dissipation plate.

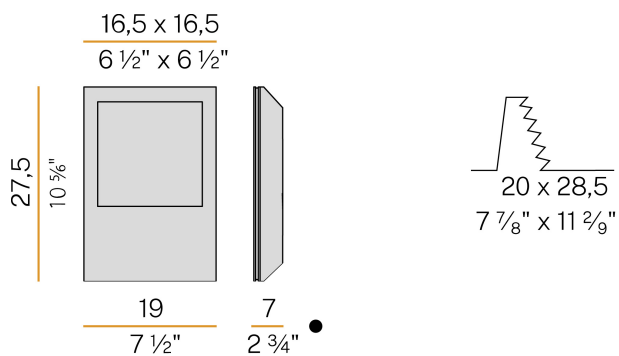
Flat sandblasted glass diffuser.

Fixing brackets in micro-perforated sheet metal.

Recessed housing for masonry in galvanized sheet metal to be ordered separately.

Built-in hole dimension: 200x285mm (7,9x11,2")

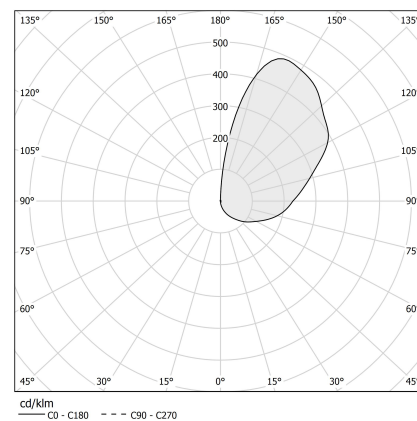
### Technical drawing



### Application



### Polar diagram



# PANZERI

## Moai

### Accessories / fixing

---

XM1210

Galvanized sheet housing to be recessed in brick wall or concrete.

