

PANZERI

Nolita

220-240V AC

XG23801.240.0099

● white

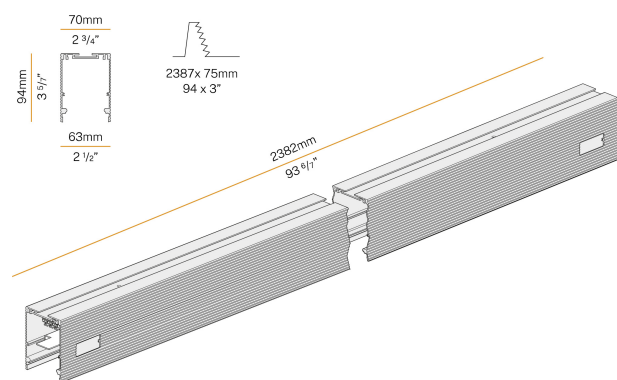


Data sheet

CODE	XG23801.240.0099
SYSTEM POWER CONSUMPTION	max 38W/m
LIGHT SOURCE	LED
LIGHT DISTRIBUTION	diffused
POWER SUPPLY	220-240V AC
FREQUENCY	50/60Hz
DRIVER	integrated not included
WEIGHT	5,12 Kg
PROTECTION DEGREE	IP40 IP20
SHOCK RESISTANCE RATING	IK08
GLOW WIRE TEST PERFORMANCE	850°
PACKING DIMENSIONS	13,0 x 13,0 x 246,0 cm
L (mm)	2382
L (in)	93 6/7"
ADVISED BRACKETS	2
HOLE (mm)	2387 x 75
HOLE (in)	94" x 3"



Technical drawing



Modular profile for ceiling or wall built-in installation for interiors, with direct light emission.

Total built-in structure in plasterboard, in extruded aluminium in RAL 9003 white powder paint.

Reflector retaining spring clips in stainless steel.

Aluminium reflector in RAL 9003 white polyacrylic paint.

Equipped with disposal screen for smoothing, plastering and painting of the installation surface.

Light modules and driver to be ordered separately.

Extruded polycarbonate diffuser with opaline finish or micro-prismatic to be ordered separately.

Fastening, joining and closing accessories to be ordered separately.

Built-in hole dimension: 2387x75mm (94x3")

Application



Polar diagram

