

# PANZERI

## Brooklyn Trim

24V DC  
XG2034-50TRACK

 white/opal screen



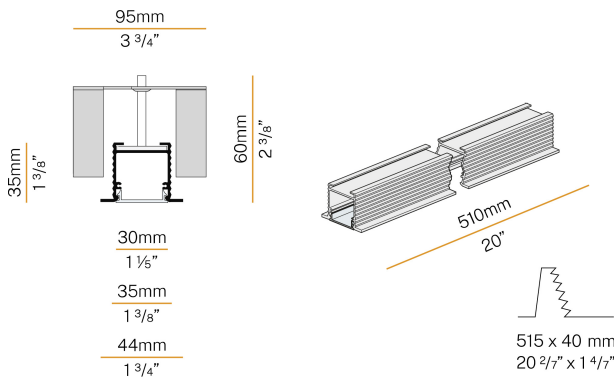
### Data sheet

CODE	XG2034-50TRACK
SYSTEM POWER CONSUMPTION	max 24W/m
LIGHT SOURCE	LED
LIGHT DISTRIBUTION	diffused
POWER SUPPLY	24V DC
DRIVER	remote not included
WEIGHT	0,32 Kg
PROTECTION DEGREE	IP40 IP20
SHOCK RESISTANCE RATING	IK08
GLOW WIRE TEST PERFORMANCE	850°
PACKING DIMENSIONS	6,0 x 6,0 x 65,0 cm
L (mm)	510
L (in)	20"
ADVISED BRACKETS	2
HOLE (mm)	515 x 40
HOLE (in)	20 2/7" x 1 3/8"



Modular profile for ceiling or wall built-in installation for interiors, with direct light emission.  
Built-in structure in plasterboard, in extruded aluminium in RAL 9003 white powder paint.  
Extruded polycarbonate diffuser with opaline finish.  
Light modules and driver to be ordered separately.  
Fastening, joining and closing accessories to be ordered separately.  
Built-in hole dimension: 515x40mm (20,3x1,6")

### Technical drawing



### Application



### Polar diagram

