

# PANZERI

## Brooklyn Trim

24V DC  
XG2034-100TRACK

 white/opal screen



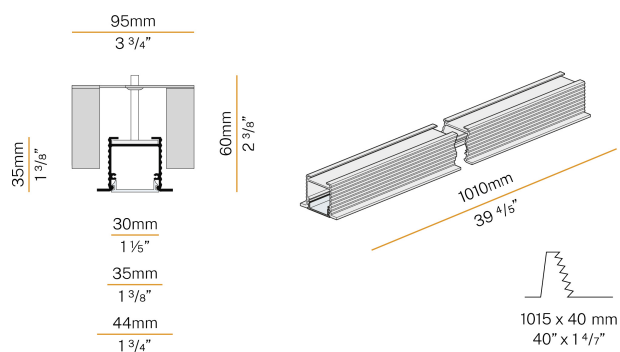
### Data sheet

|                            |                      |
|----------------------------|----------------------|
| CODE                       | XG2034-100TRACK      |
| SYSTEM POWER CONSUMPTION   | max 24W/m            |
| LIGHT SOURCE               | LED                  |
| LIGHT DISTRIBUTION         | diffused             |
| POWER SUPPLY               | 24V DC               |
| DRIVER                     | remote not included  |
| WEIGHT                     | 0,67 Kg              |
| PROTECTION DEGREE          | IP40 IP20            |
| SHOCK RESISTANCE RATING    | IK08                 |
| GLOW WIRE TEST PERFORMANCE | 850°                 |
| PACKING DIMENSIONS         | 6,0 x 6,0 x 114,0 cm |
| L (mm)                     | 1010                 |
| L (in)                     | 39 4/5"              |
| ADVISED BRACKETS           | 2                    |
| HOLE (mm)                  | 1015 x 40            |
| HOLE (in)                  | 40" x 1 3/8"         |



Modular profile for ceiling or wall built-in installation for interiors, with direct light emission.  
Built-in structure in plasterboard, in extruded aluminium in RAL 9003 white powder paint.  
Extruded polycarbonate diffuser with opaline finish.  
Light modules and driver to be ordered separately.  
Fastening, joining and closing accessories to be ordered separately.  
Built-in hole dimension: 1015x40mm (40x1,6")

### Technical drawing



### Application



### Polar diagram

