

PANZERI

Carl

700mA DC ON-OFF
X12301.007.2501

● white



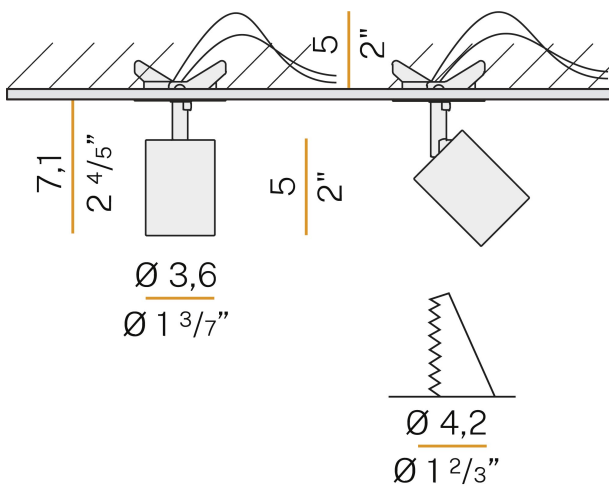
Data sheet

| | |
|----------------------------|---------------------|
| CODE | X12301.007.2501 |
| SYSTEM POWER CONSUMPTION | 6,5W |
| EFFICACY | 70.83lm/W |
| LIGHT SOURCE | LED |
| LIGHT SOURCE LIFETIME | L80 (B10) 50.000h |
| COLOUR TEMPERATURE | 3000K Ra>90 |
| LIGHT DISTRIBUTION | adjustable |
| BEAM ANGLE | 34° |
| POWER SUPPLY | 700mA DC |
| ELECTRICAL CONFIGURATION | ON-OFF |
| DRIVER | remote included |
| NOMINAL LUMINOUS FLUX | 650lm |
| LUMEN OUTPUT | 425lm |
| EFFICIENCY | 65.4% |
| GLARE RATING | UGR < 12 |
| WEIGHT | 0,11 Kg |
| PROTECTION DEGREE | IP20 |
| GLOW WIRE TEST PERFORMANCE | 850° |
| PACKING DIMENSIONS | 8,0 x 12,5 x 8,0 cm |



Lighting fixture for ceiling semi-built-in installation for interiors, with swivelling light beam.
Built-in ceiling plate for permanent false ceilings, in die-cast aluminium with polyacrylic paint.
Die-cast aluminium joint with polyacrylic paint.
Die-cast aluminium structure rotating on two axes in white, black, bronze, mat brass or titanium polyacrylic paint.
Reflector in thermoplastic material with chrome plated finish.
Textured glass screen.
Anti-glare snoot in black thermoplastic material.
Stainless steel spring clips for false ceiling fixing.
Equipped with 0,4m (15,7") long power cable.
Built-in hole dimension: Ø 42mm (Ø 1,7")

Technical drawing



Polar diagram

