

PANZERI

Carl

350mA DC ON-OFF
X12230.008.2501

titanium



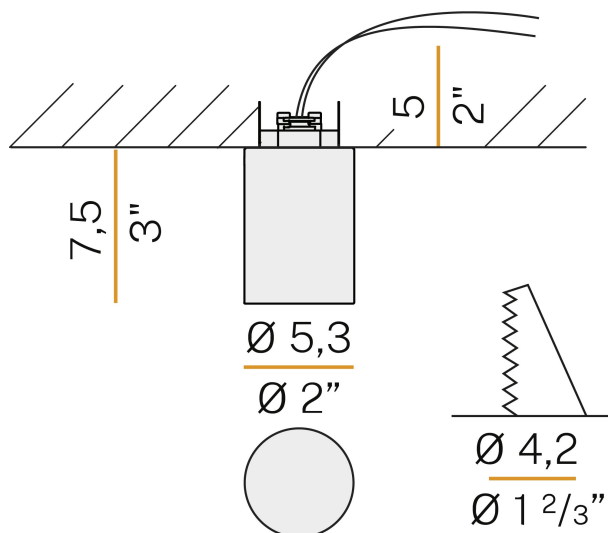
Data sheet

CODE	X12230.008.2501
SYSTEM POWER CONSUMPTION	12W
EFFICACY	87.5lm/W
LIGHT SOURCE	LED
LIGHT SOURCE LIFETIME	L80 (B10) 50.000h
COLOUR TEMPERATURE	3000K Ra>90
LIGHT DISTRIBUTION	flood
BEAM ANGLE	30°
POWER SUPPLY	350mA DC
ELECTRICAL CONFIGURATION	ON-OFF
DRIVER	remote included
NOMINAL LUMINOUS FLUX	1500lm
LUMEN OUTPUT	1050lm
EFFICIENCY	70%
GLARE RATING	UGR < 16
WEIGHT	0,27 Kg
PROTECTION DEGREE	IP20
GLOW WIRE TEST PERFORMANCE	850°
PACKING DIMENSIONS	13,0 x 15,0 x 9,0 cm



Lighting fixture for ceiling semi-built-in installation for interiors, with direct light emission.
Built-in ceiling plate for permanent false ceilings, in die-cast aluminium with polyacrylic paint.
Die-cast aluminium structure in white, black, bronze, mat brass or titanium polyacrylic paint.
Reflector in thermoplastic material with chrome plated finish.
Textured glass screen.
Anti-glare snoot in black thermoplastic material.
Stainless steel spring clips for false ceiling fixing.
Equipped with 0,4m (15,7") long power cable.
Built-in hole dimension: Ø 42mm (Ø 1,7")

Technical drawing



Polar diagram

