


# PANZERI

## 432 Ways

220-240V AC dimmable (phase cut)

P12719.008.0504

 mat brass

DIRECT  
LIGHT

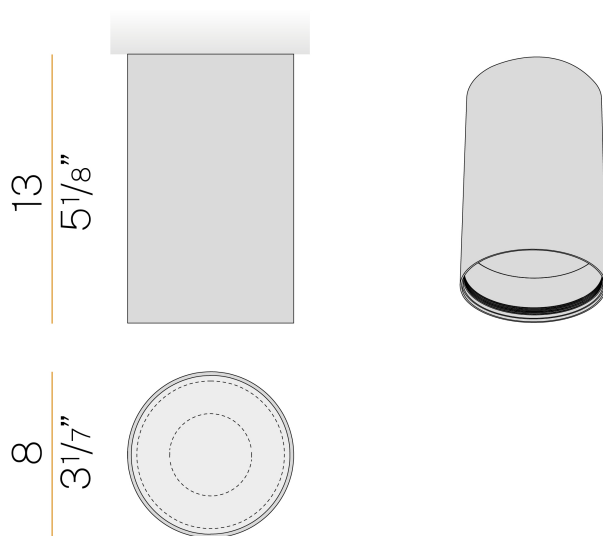
### Data sheet

CODE	P12719.008.0504
SYSTEM POWER CONSUMPTION	10,7W
EFFICACY	113,4lm/W
LIGHT SOURCE	LED
LIGHT SOURCE LIFETIME	L90 (B10) 50.000h
COLOUR TEMPERATURE	2700K Ra>90
LIGHT DISTRIBUTION	diffused
POWER SUPPLY	220-240V AC
FREQUENCY	50/60Hz
ELECTRICAL CONFIGURATION	dimmable (phase cut)
DRIVER	integrated included
NOMINAL LUMINOUS FLUX	1328lm
LUMEN OUTPUT	1134lm
EFFICIENCY	85,4%
WEIGHT	0,60 Kg
PROTECTION DEGREE	IP40
COLOUR TOLLERANCES	SDCM 3
PACKING DIMENSIONS	10,5 x 10,5 x 6,0 cm



Ceiling lighting fixture for interiors, with direct light emission.  
Extruded and milled aluminium structure, with polyacrylic paint finish in white, black, bronze, mat brass, textured olive green or textured natural terracotta.  
Lens holder not included, to be purchased separately.

### Technical drawing



### Polar diagram

