

PANZERI

Hilow

220-240V AC dimmable (DALI/Push DIM)

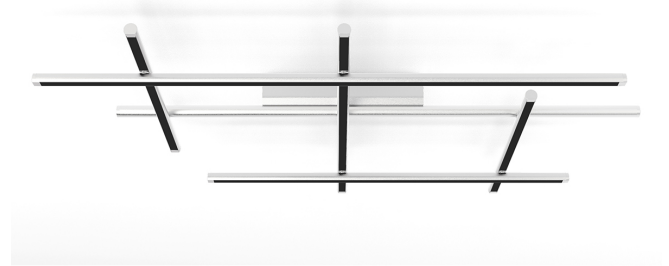
P02901.115.0502

● white



Data sheet

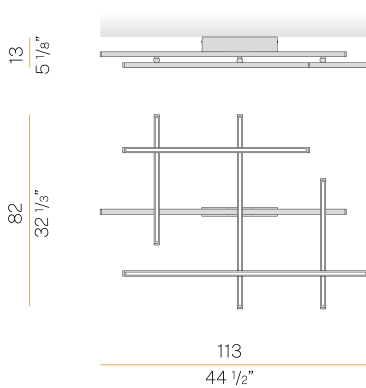
| | |
|--------------------------|--------------------------|
| CODE | P02901.115.0502 |
| SYSTEM POWER CONSUMPTION | 78W |
| EFFICACY | 30.2lm/W |
| LIGHT SOURCE | LED |
| LIGHT SOURCE LIFETIME | L70 (B10) 60.000h |
| COLOUR TEMPERATURE | 2700K Ra>90 |
| LIGHT DISTRIBUTION | diffused |
| POWER SUPPLY | 220-240V AC |
| FREQUENCY | 50/60Hz |
| ELECTRICAL CONFIGURATION | dimmable (DALI/Push DIM) |
| DRIVER | integrated included |
| NOMINAL LUMINOUS FLUX | 8316lm |
| LUMEN OUTPUT | 2356lm |
| EFFICIENCY | 28.3% |
| WEIGHT | 2,97 Kg |
| PROTECTION DEGREE | IP20 |
| COLOUR TOLLERANCES | SDCM 3 |
| PACKING DIMENSIONS | 87,0 x 118,0 x 14,0 cm |



Ceiling lighting fixture for interiors, with direct and indirect light emission. Pickled sheet metal ceiling bracket in polyacrylic paint. Pickled sheet metal wall plate in polyacrylic paint. Extruded aluminium structure in white, mat black, bronze, mat brass or titanium polyacrylic paint. Joints in turned brass and die-cast aluminium in polyacrylic paint. Die-cast aluminium end caps in polyacrylic paint. Extruded polycarbonate diffusers with black finish for direct light emission and opaline finish for indirect light emission.



Technical drawing



Polar diagram

