


# PANZERI

## Phi

220-240V AC ON-OFF  
L05819.060.0501

 mat brass



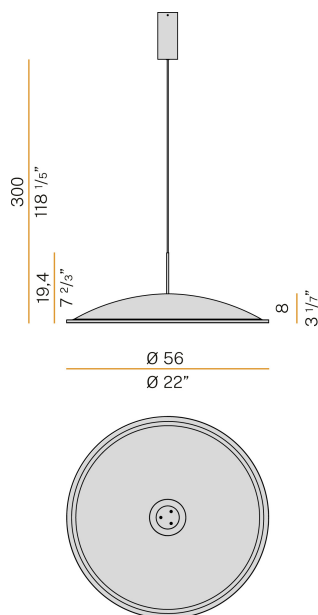
### Data sheet

CODE	L05819.060.0501
SYSTEM POWER CONSUMPTION	8,5W
EFFICACY	67.25lm/W
LIGHT SOURCE	LED
LIGHT SOURCE LIFETIME	L80 (B10) 70.000h
COLOUR TEMPERATURE	2700K Ra>90
LIGHT DISTRIBUTION	diffused
POWER SUPPLY	220-240V AC
FREQUENCY	50/60Hz
ELECTRICAL CONFIGURATION	ON-OFF
DRIVER	integrated included
NOMINAL LUMINOUS FLUX	637lm
LUMEN OUTPUT	538lm
EFFICIENCY	84.5%
WEIGHT	1,20 Kg
PROTECTION DEGREE	IP40
COLOUR TOLLERANCES	SDCM 3
PACKING DIMENSIONS	58,0 x 58,0 x 14,0 cm



Sound-absorbing suspension lamp for direct lighting, with integrated driver.  
Sound-absorbing lampshade by Slalom composed of 75% recycled plastic material covered with 96% recycled felt.  
LED light source available in 2700K, in white, black and mat brass finishes with 'milk' lampshade and in bronze and titanium finishes with 'mud' lampshade.

### Technical drawing



### Polar diagram

