

# PANZERI

## Jackie lot

220-240V AC dimmable (IoT/Step DIM)  
CP07702.000.0413

● black



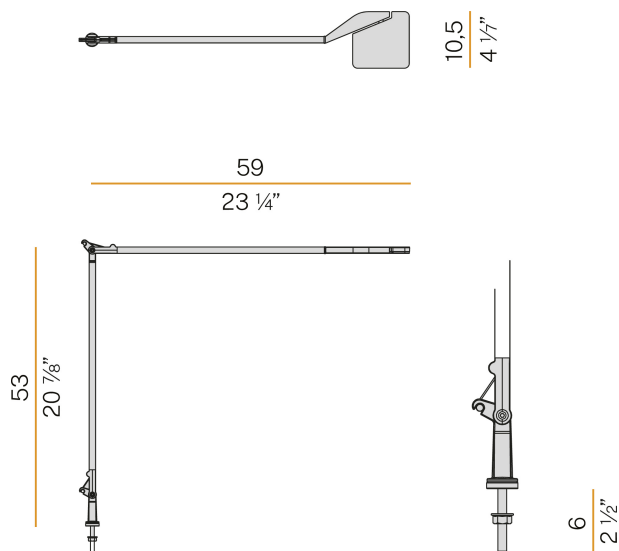
### Data sheet

|                          |                         |
|--------------------------|-------------------------|
| CODE                     | CP07702.000.0413        |
| SYSTEM POWER CONSUMPTION | 10W                     |
| EFFICACY                 | 70.6lm/W                |
| LIGHT SOURCE             | LED                     |
| LIGHT SOURCE LIFETIME    | L90 (B10) 50.000h       |
| COLOUR TEMPERATURE       | 3000K Ra>90             |
| LIGHT DISTRIBUTION       | adjustable              |
| BEAM ANGLE               | 90°                     |
| POWER SUPPLY             | 220-240V AC             |
| FREQUENCY                | 50/60Hz                 |
| ELECTRICAL CONFIGURATION | dimmable (IoT/Step DIM) |
| DRIVER                   | integrated included     |
| NOMINAL LUMINOUS FLUX    | 884lm                   |
| LUMEN OUTPUT             | 706lm                   |
| EFFICIENCY               | 79.9%                   |
| WEIGHT                   | 0,63 Kg                 |
| PROTECTION DEGREE        | IP40                    |
| COLOUR TOLLERANCES       | SDCM 3                  |
| PACKING DIMENSIONS       | 6,0 x 119,0 x 25,0 cm   |



Table lighting fixture for interiors, with swivelling light beam.  
Galvanized steel fixing pin.  
Extruded aluminium frame in white, black, red or titanium polyacrylic paint.  
Die-cast aluminium joints in polyacrylic paint.  
Steel wire rope slings.  
Die-cast aluminium head rotating on two axes in polyacrylic paint.  
Modelled acrylic diffuser with mat finish and double serigraphy.  
Push-button to adjust luminosity according to 5 levels of visual comfort.  
Module for luminous flux automatic regulation, complete with sensor for measuring environmental conditions and with Bluetooth antenna for managing the device or for connecting it to a Building Automation system.  
Equipped with a 1,6m (63") long power cable with jack connector and adapter plug.

### Technical drawing



### Polar diagram

