

PANZERI

Jackie lot

220-240V AC dimmable (IoT/Step DIM)

CA07730.000.0413

titanium



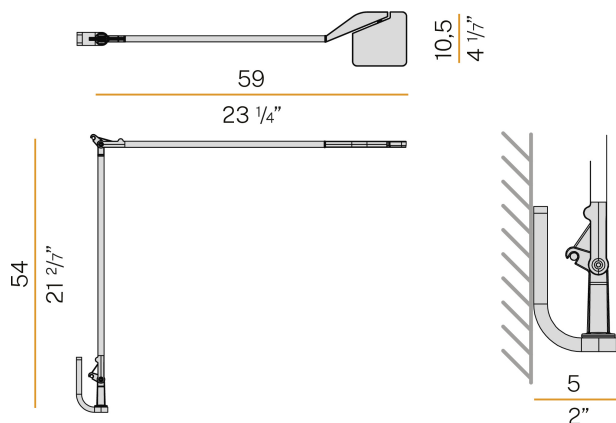
Data sheet

CODE	CA07730.000.0413
SYSTEM POWER CONSUMPTION	10W
EFFICACY	70.6lm/W
LIGHT SOURCE	LED
LIGHT SOURCE LIFETIME	L90 (B10) 50.000h
COLOUR TEMPERATURE	3000K Ra>90
LIGHT DISTRIBUTION	adjustable
BEAM ANGLE	90°
POWER SUPPLY	220-240V AC
FREQUENCY	50/60Hz
ELECTRICAL CONFIGURATION	dimmable (IoT/Step DIM)
DRIVER	integrated included
NOMINAL LUMINOUS FLUX	884lm
LUMEN OUTPUT	706lm
EFFICIENCY	79.9%
WEIGHT	0,84 Kg
PROTECTION DEGREE	IP40
COLOUR TOLLERANCES	SDCM 3
PACKING DIMENSIONS	6,0 x 119,0 x 25,0 cm



Wall lighting fixture for interiors, with swivelling light beam.
 Pickled sheet metal wall bracket in polyacrylic paint.
 Extruded aluminium frame in white, black, red or titanium polyacrylic paint.
 Die-cast aluminium joints in polyacrylic paint.
 Steel wire rope slings.
 Die-cast aluminium head rotating on two axes in polyacrylic paint.
 Modelled acrylic diffuser with mat finish and double serigraphy.
 Push-button to adjust luminosity according to 5 levels of visual comfort.
 Module for luminous flux automatic regulation, complete with sensor for measuring environmental conditions and with Bluetooth antenna for managing the device or for connecting it to a Building Automation system.
 Equipped with a 1,6m (63") long power cable with jack connector and adapter plug.

Technical drawing



Polar diagram

