


# PANZERI

## Opuntia

220-240V AC DIM-to-warm + tunable white  
C06829.000.9121P

 textured natural terracotta



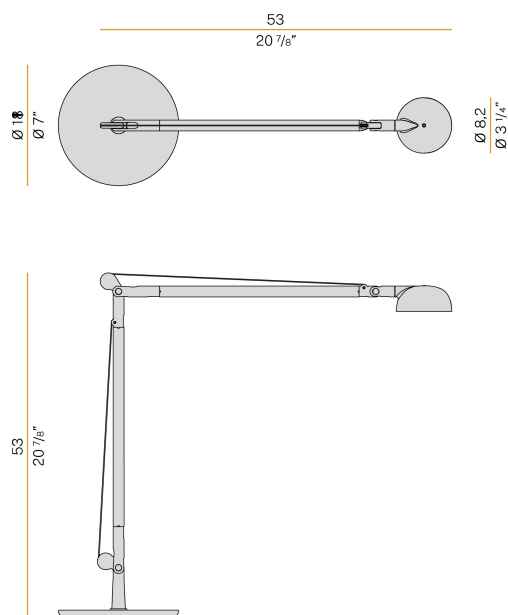
### Data sheet

CODE	C06829.000.9121P
SYSTEM POWER CONSUMPTION	8,5W
EFFICACY	87.5lm/W
LIGHT SOURCE	LED
COLOUR TEMPERATURE	2200-4000K Ra>90
LIGHT DISTRIBUTION	adjustable
POWER SUPPLY	220-240V AC
FREQUENCY	50/60Hz
ELECTRICAL CONFIGURATION	DIM-to-warm + tunable white
DRIVER	integrated included
LUMEN OUTPUT	700lm
WEIGHT	3,45 Kg
PROTECTION DEGREE	IP40
PACKING DIMENSIONS	19,0 x 107,0 x 6,5 cm



Table lighting fixture for interiors, with swivelling light beam.  
Pickled sheet metal bearing base in polyacrylic paint.  
Extruded aluminium frame in white, mat black, bronze, mat brass, titanium, textured olive green and textured natural terracotta polyacrylic paint.  
Die-cast aluminium joints in polyacrylic paint.  
Steel wire rope slings.  
Die-cast aluminium head rotating on two axes in polyacrylic paint.  
Modelled polycarbonate diffuser with opaline finish and serigraphy.  
Push-button to adjust luminosity and light shade according to 5 levels of visual comfort.  
Integrated presence detector.  
Equipped with a 1,6m (63") long power cable with jack connector and adapter plug.

### Technical drawing



### Polar diagram

