

PANZERI

Jackie

220-240V AC dimmable (Step DIM)

A07730.000.0409

 titanium

DIRECT
LIGHT

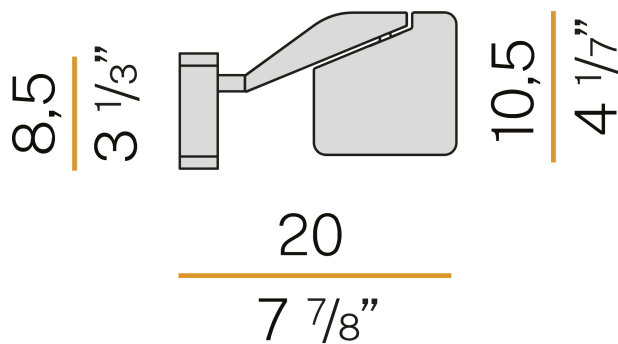
Data sheet

CODE	A07730.000.0409
SYSTEM POWER CONSUMPTION	10W
EFFICACY	70.6lm/W
LIGHT SOURCE	LED
LIGHT SOURCE LIFETIME	L90 (B10) 50.000h
COLOUR TEMPERATURE	3000K Ra>90
LIGHT DISTRIBUTION	adjustable
BEAM ANGLE	90°
POWER SUPPLY	220-240V AC
FREQUENCY	50/60Hz
ELECTRICAL CONFIGURATION	dimmable (Step DIM)
DRIVER	integrated included
NOMINAL LUMINOUS FLUX	884lm
LUMEN OUTPUT	706lm
EFFICIENCY	79.9%
WEIGHT	0,47 Kg
PROTECTION DEGREE	IP40
COLOUR TOLLERANCES	SDCM 3
PACKING DIMENSIONS	12,0 x 24,0 x 13,0 cm



Wall lighting fixture for interiors, with swivelling light beam.
Pickled sheet metal wall bracket in polyacrylic paint.
Die-cast aluminium wall plate in polyacrylic paint.
Die-cast aluminium structure in white, black, red or titanium polyacrylic paint.
Die-cast aluminium head rotating on two axes in polyacrylic paint.
Modelled acrylic diffuser with mat finish and double serigraphy.
Push-button to adjust luminosity according to 5 levels of visual comfort.

Technical drawing



Polar diagram

